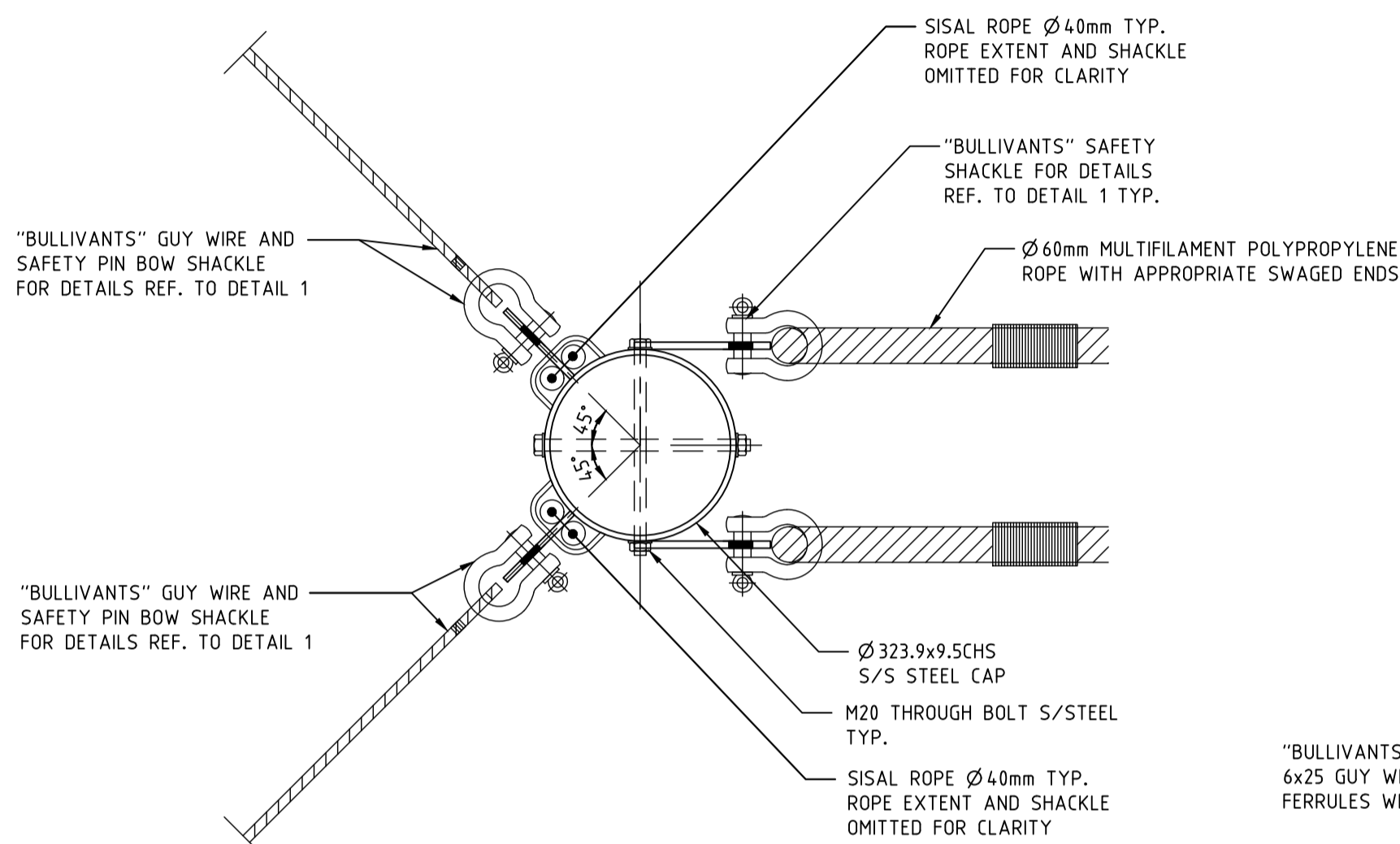


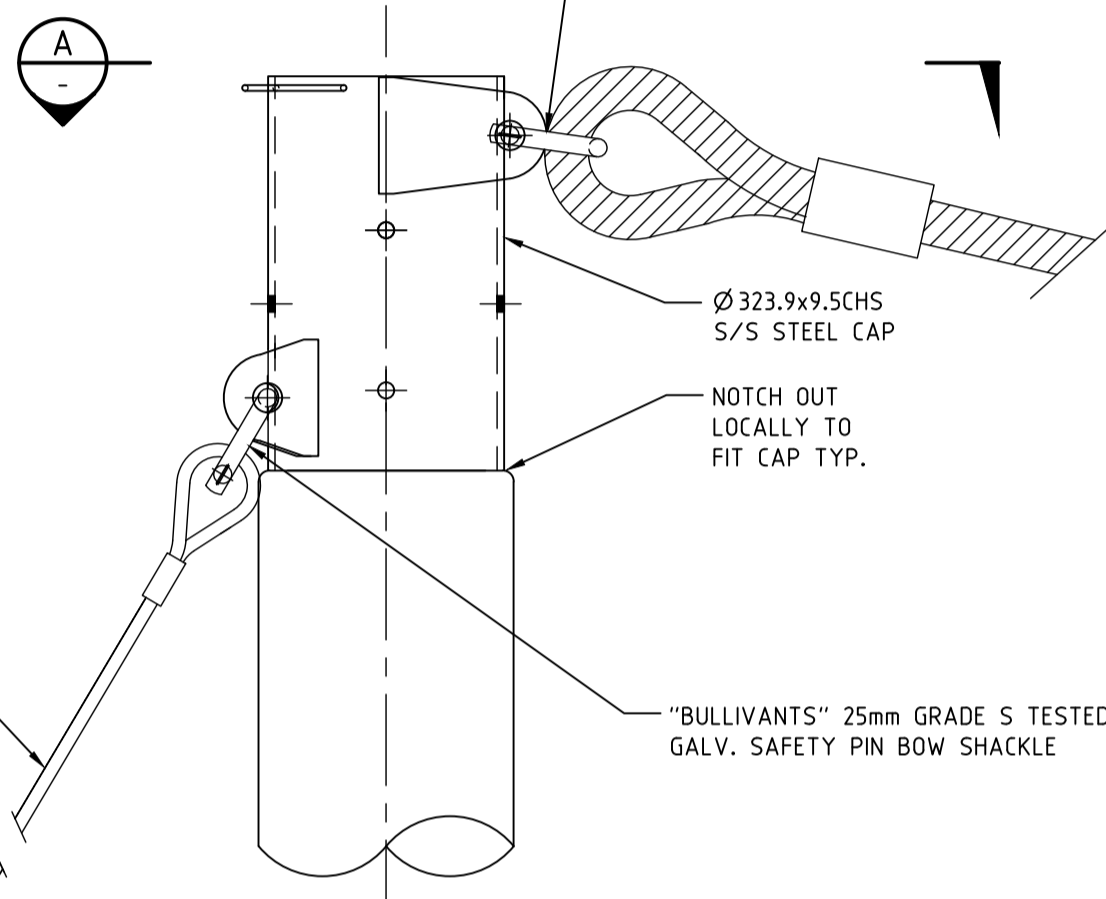
TYPICAL ROPE BRIDGE ARRANGEMENT PLAN

1:10
NOTE:
GUY WIRE AND, HEMP ROPE NOT SHOWN FOR CLARITY.



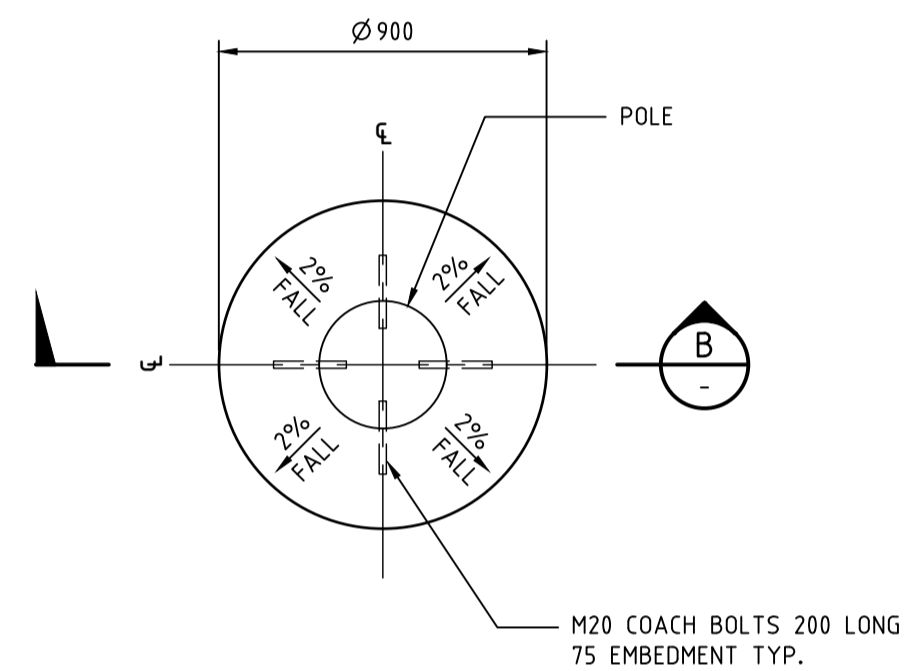
SECTION A

1:10
NOTE:
SAFETY SHACKLE FIXING NETTING TO WIRE ROPES OMITTED FOR CLARITY.



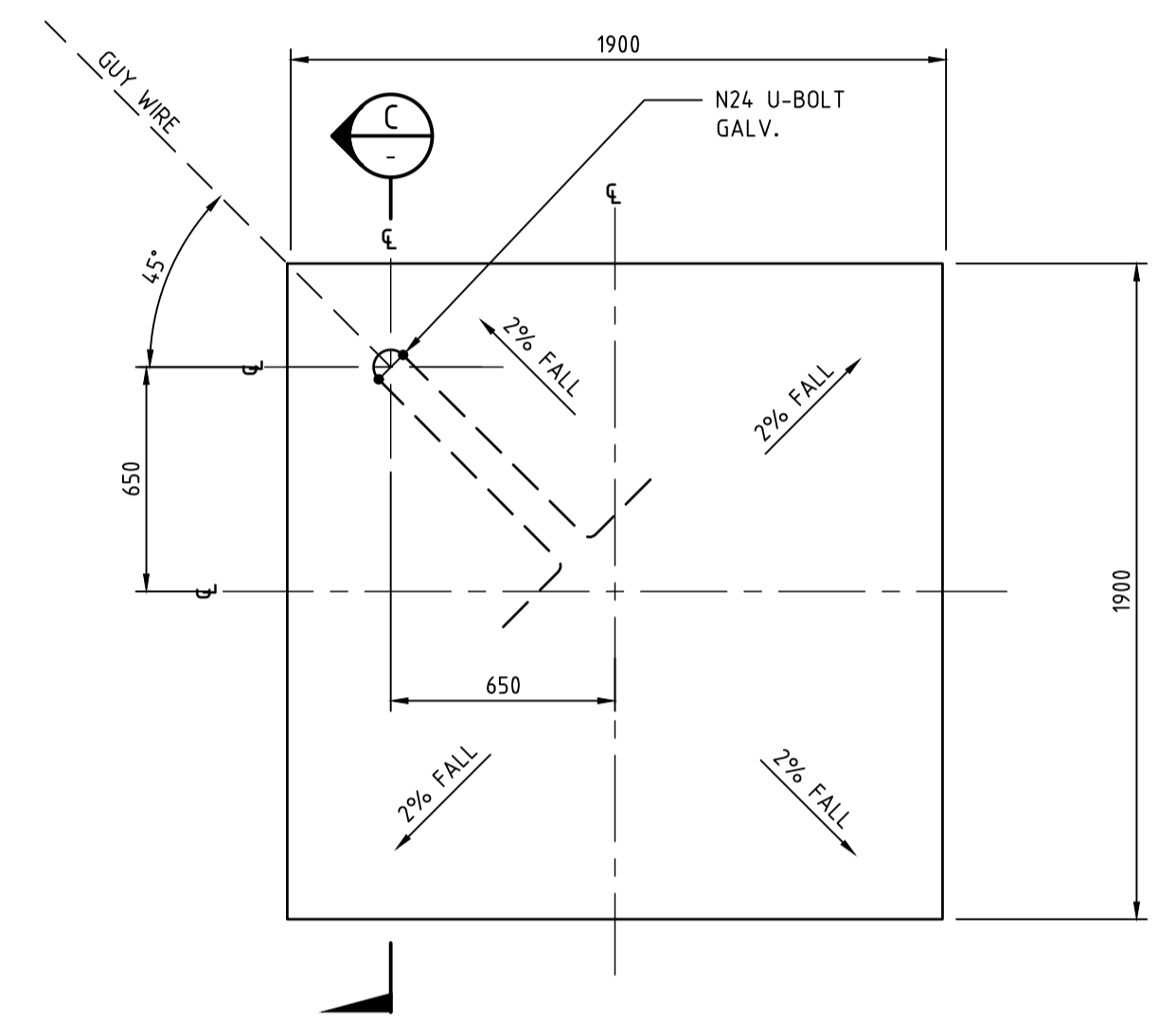
DETAIL 1

1:10
NOTE:
APPLY LOCTITE TO ALL THREADED FIXINGS.



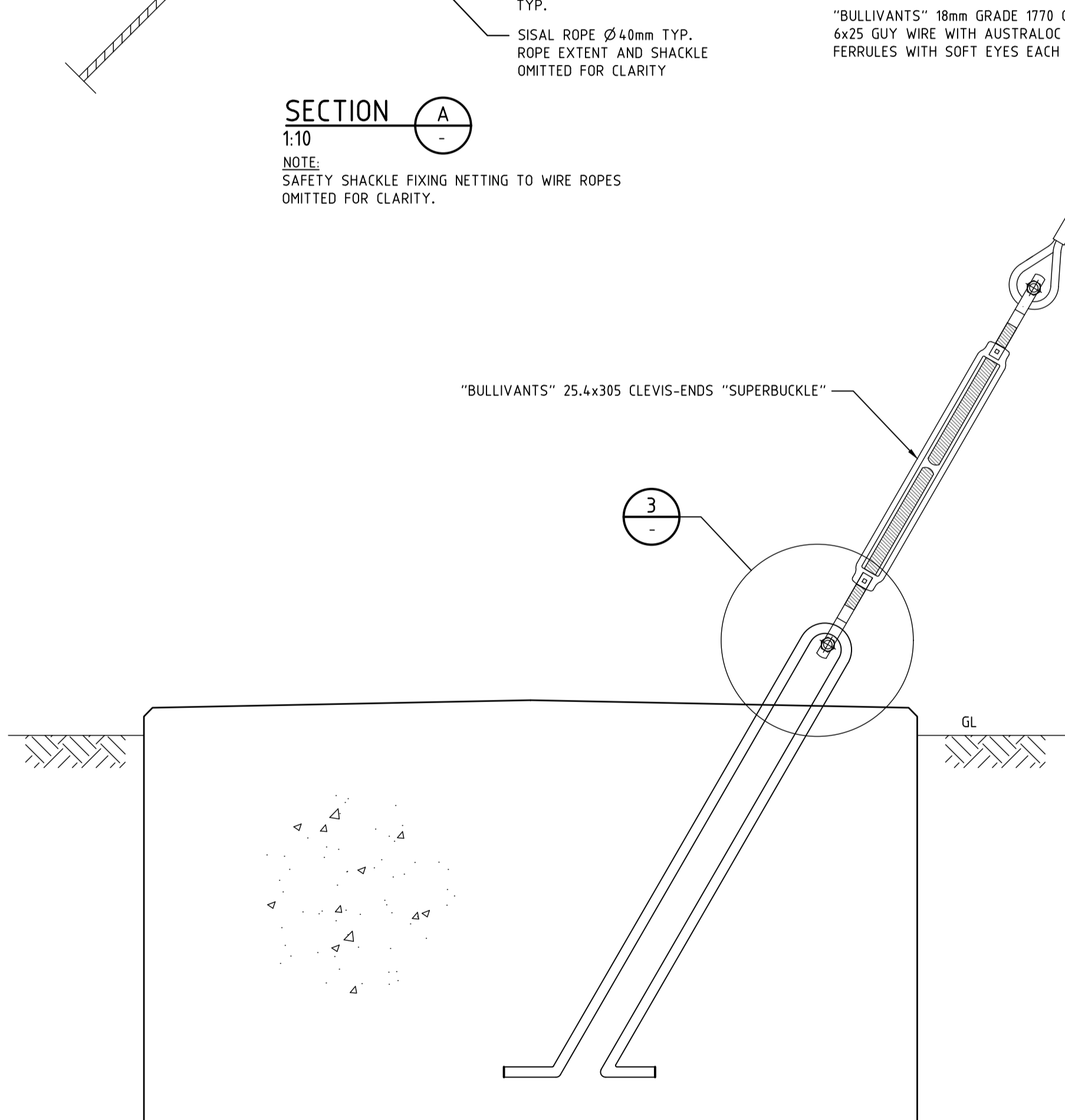
PAD FOOTING PF1

1:20



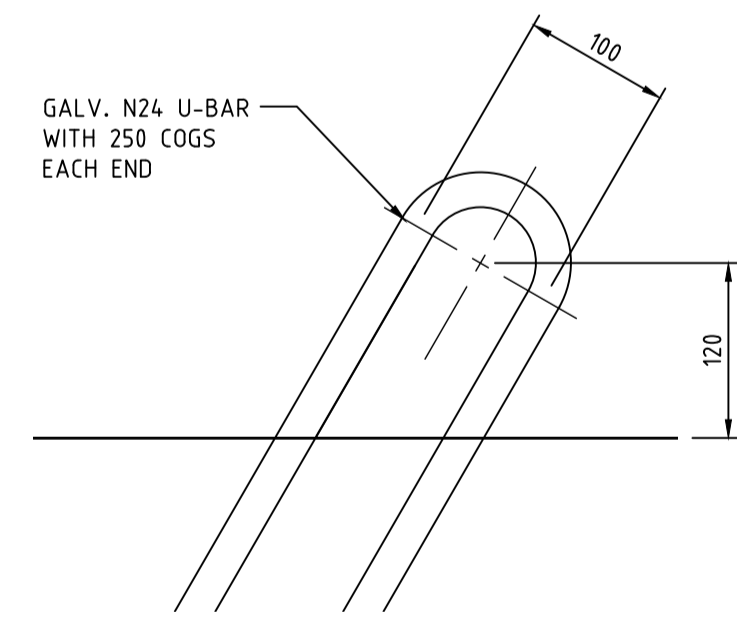
PAD FOOTING PF2

1:20



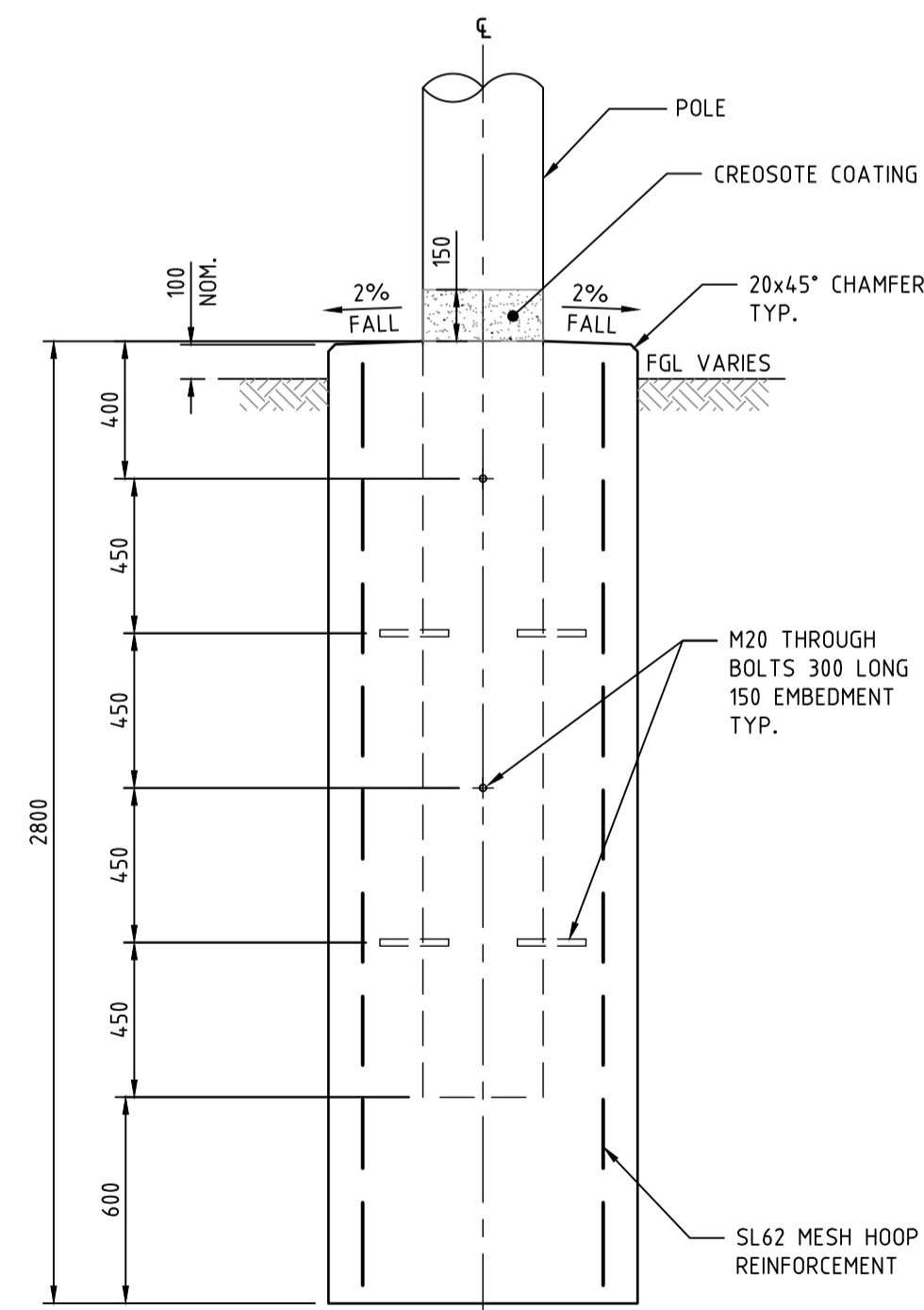
DETAIL 2

1:10



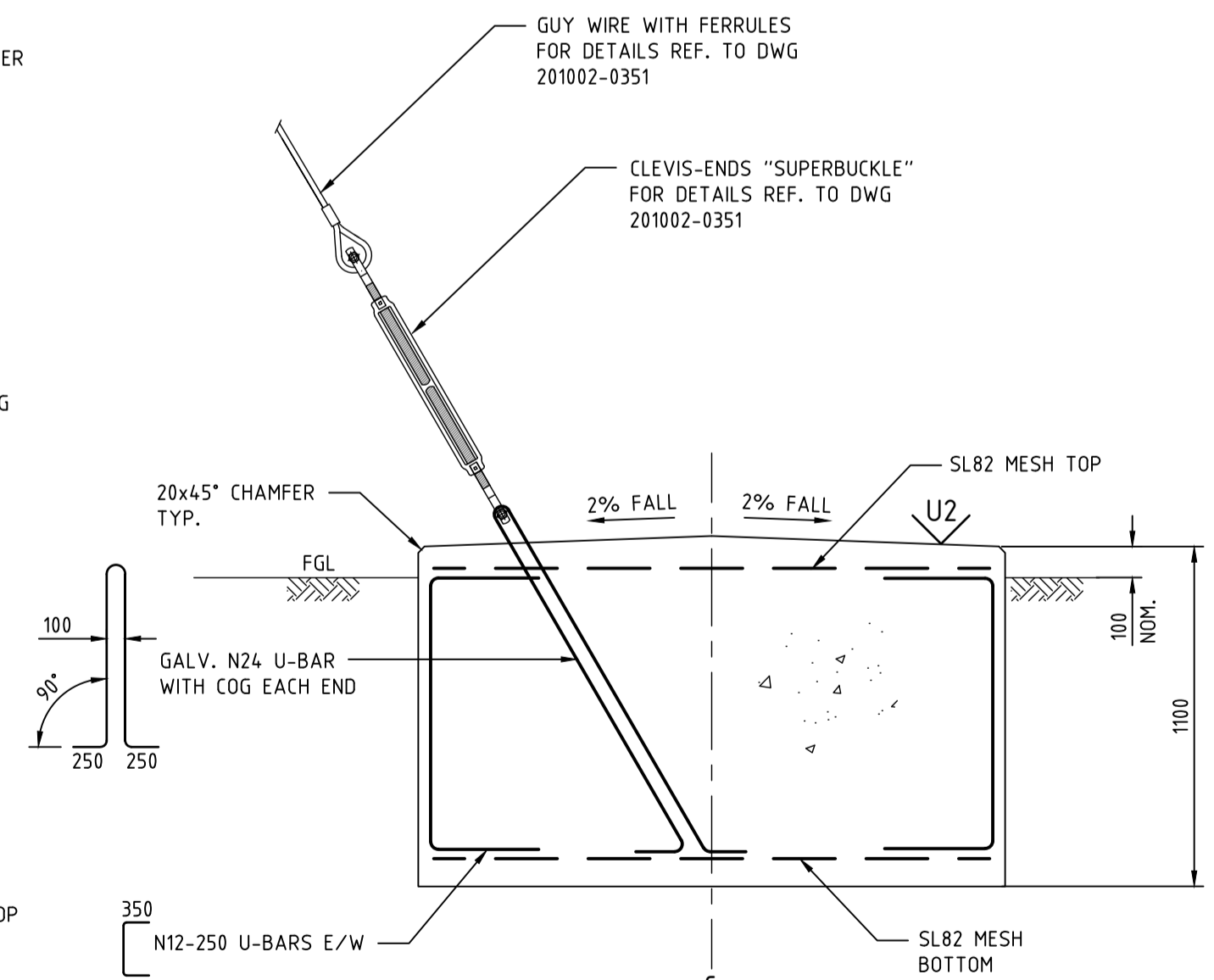
DETAIL 3

1:10
NOTE:
'SUPERBUCKLE' OMITTED FOR CLARITY



SECTION B

1:20



SECTION C

1:20



REVISIONS				
N°	DESCRIPTION	APPROVED	DATE	DRAWN
0	ISSUED FOR CONSTRUCTION		8-9-17	MSK
A	ISSUED FOR REVIEW		1-8-17	MSK

NAMES PRINTED IN FULL		DATE	CLIENT
DESIGNED	R. JARMAN	JULY 2017	CITY OF MANDURAH
DRAWN	M. KELLY	JULY 2017	
VERIFIED			PROJECT
APPROVED			FAUNA BRIDGE - GUMNUT RESERVE P.O.S. JINATONG LOOP, DAWESVILLE

DRAWING TITLE	
SECTIONS AND DETAILS SHEET 1	

DRAWING NUMBER		REVISION
7716-S-002		0

THIS DRAWING SHALL BE TREATED AS PRELIMINARY AND IS NOT TO BE USED FOR CONSTRUCTION PURPOSES UNLESS SIGNED AS APPROVED.

SCALE
A1