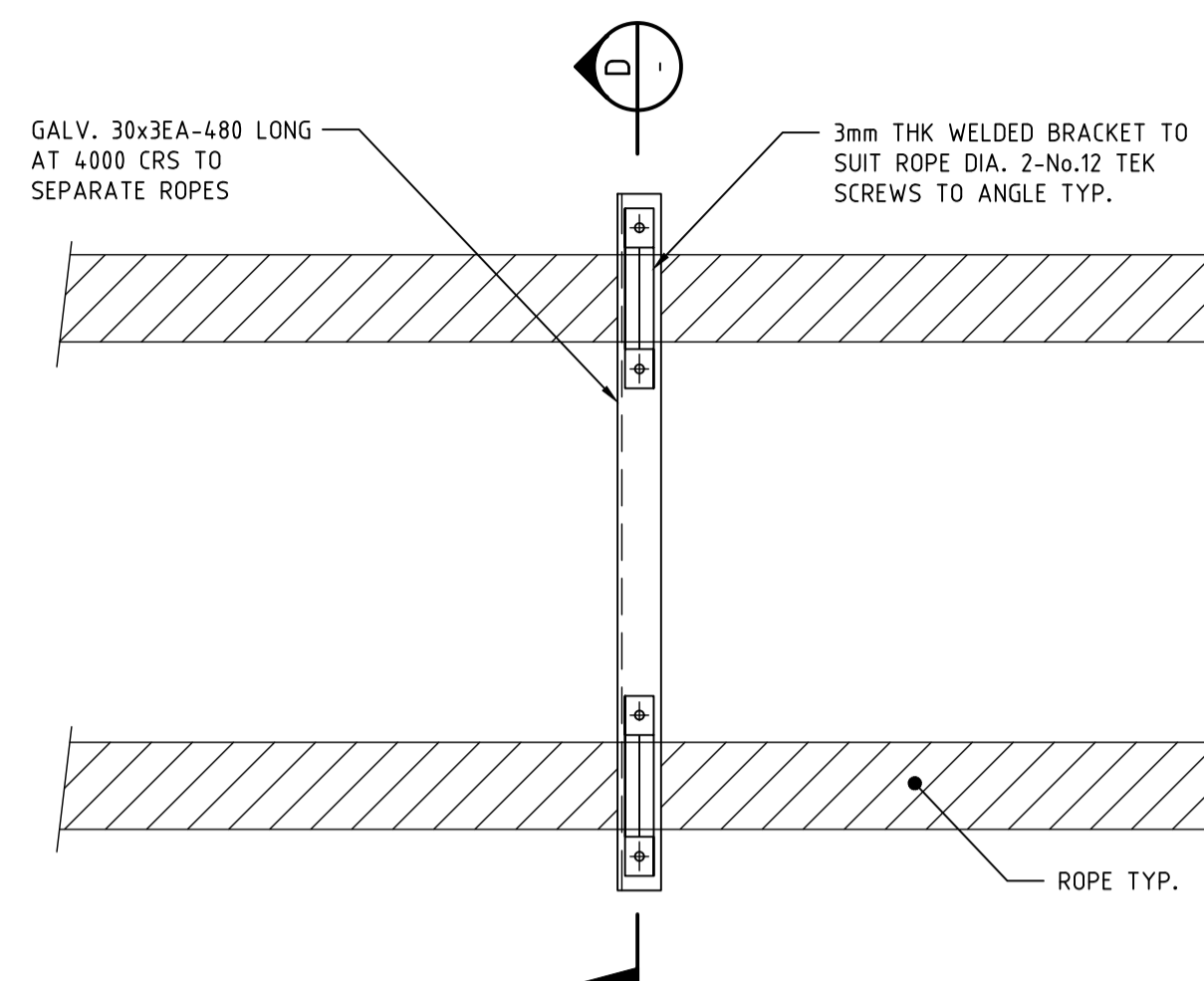
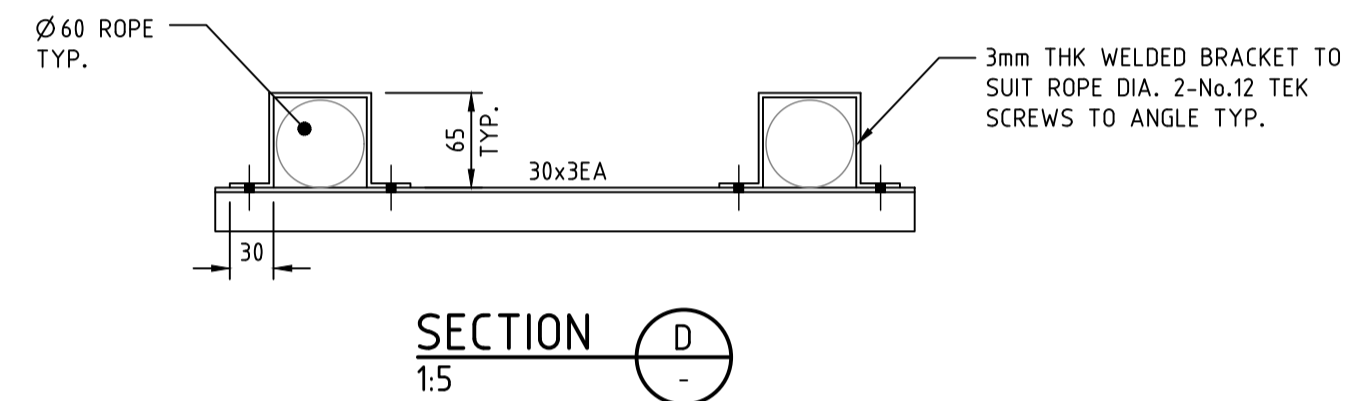


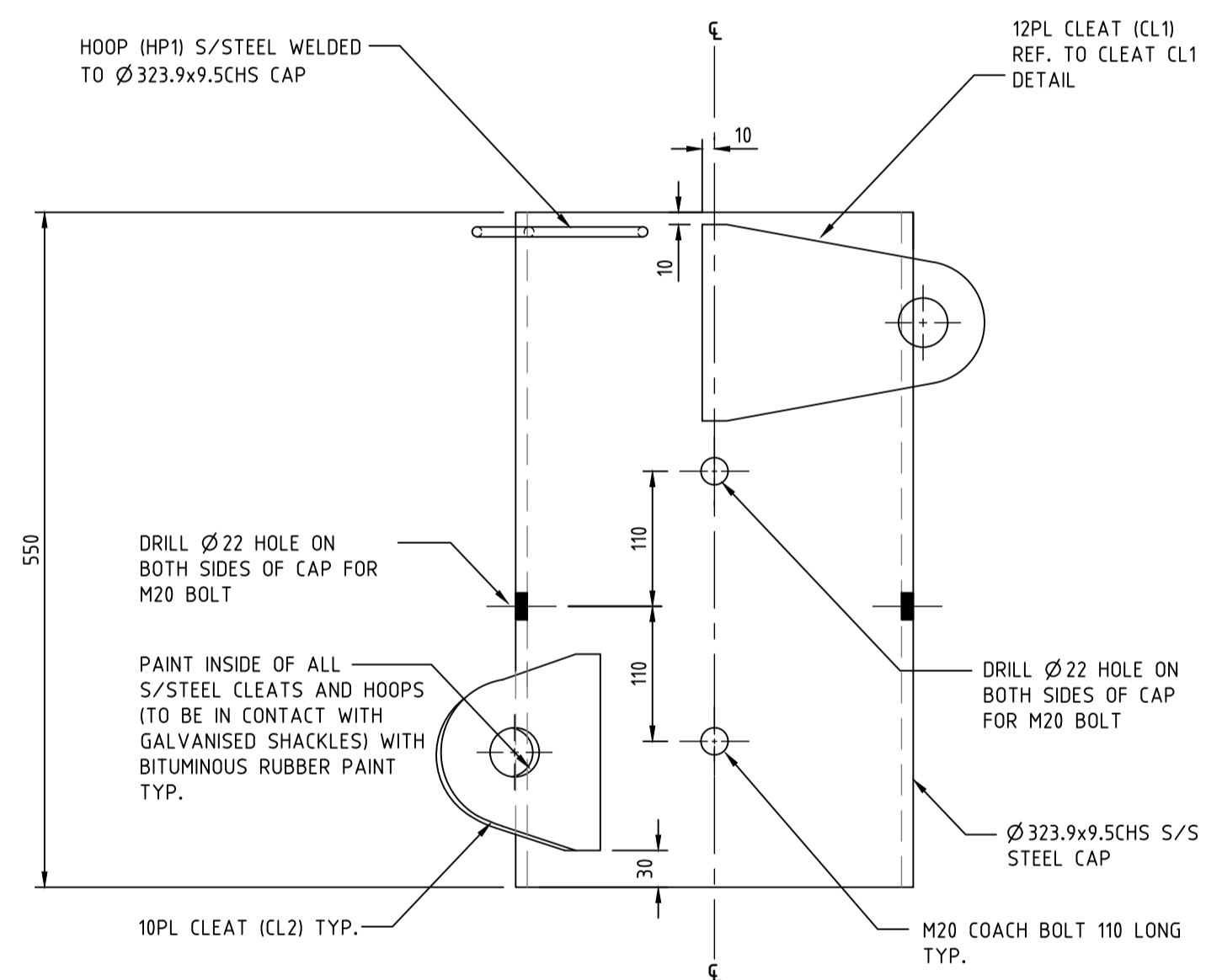
POLE CAP - PLAN
1:5



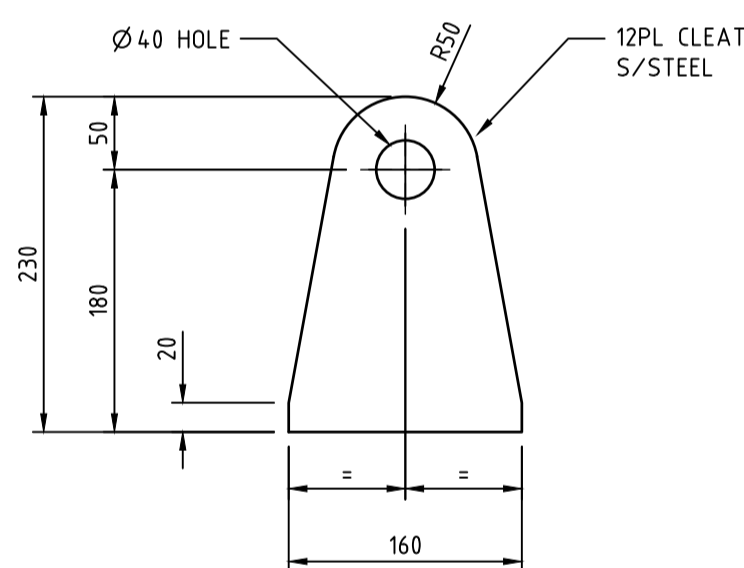
ANGLE FIXING DETAIL
1:5



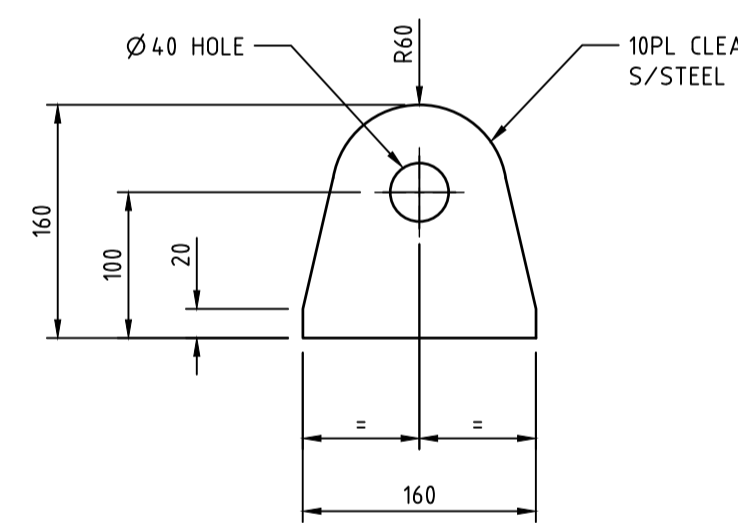
SECTION D
1:5



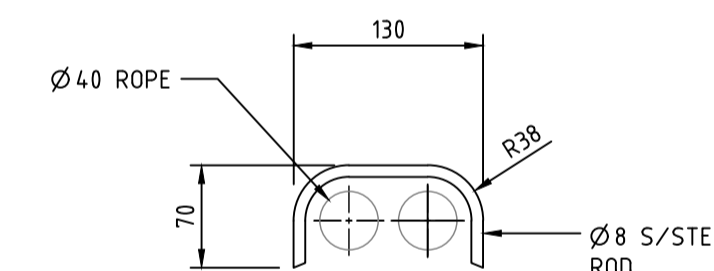
POLE CAP - ELEVATION
1:5



CLEAT CL1 DETAIL
1:5



CLEAT CL2 DETAIL
1:5



HOOP HP1 DETAIL
1:5



REVISIONS				
N°	DESCRIPTION	APPROVED	DATE	DRAWN
0	ISSUED FOR CONSTRUCTION		8-9-17	MSK
A	ISSUED FOR REVIEW		1-8-17	MSK

NAMES PRINTED IN FULL		DATE	CLIENT
DESIGNED	R. JARMAN	JULY 2017	CITY OF MANDURAH
DRAWN	M. KELLY	JULY 2017	
VERIFIED			PROJECT
APPROVED			FAUNA BRIDGE - GUMNUT RESERVE P.O.S. JINATONG LOOP, DAWESVILLE

DRAWING TITLE	
SECTIONS AND DETAILS SHEET 2	

DRAWING NUMBER		REVISION
7716-S-003		0

THIS DRAWING SHALL BE TREATED AS PRELIMINARY AND IS NOT TO BE USED FOR CONSTRUCTION PURPOSES UNLESS SIGNED AS APPROVED.

SCALE
A1